



K2000 Power

HALF SIZE - FULL BRIGHTNESS

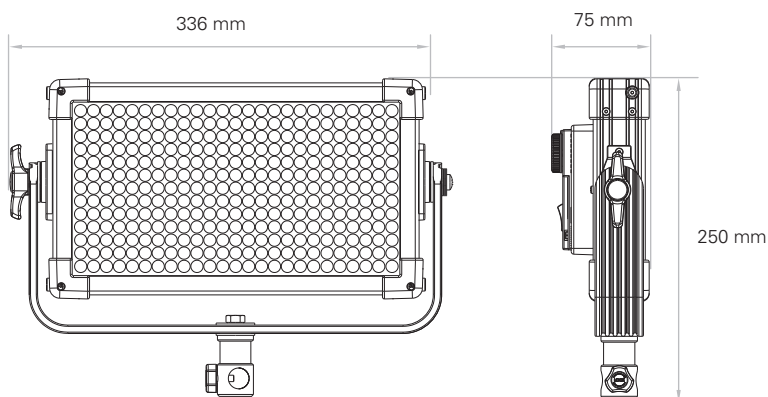
With half the surface area in comparison to the original K4000 Lumic we were able to achieve a higher brightness than before at 1x1 size (K2000 Power: 2723 lux@1m 75° beam angle, K4000 Lumic: 2475 lux@1m 60°), making the K2000 Power the perfect portable lightsource.

PERFECT TRAVEL COMPANION

Being compact in size, low in weight and with a separate battery plate that can be mounted on the bottom of the light stand as a counterweight, the K2000 Power is the perfect travel companion that also works reliably on lightweight light stands.

NEW ATTACHMENT SYSTEM

Incorporating the new F&V attachment system for light shaping accessories, you can mount light shaping tools like barndoors, honeycomb grids, diffusers, filterholders and softboxes easily and securely to the K2000 Power.



DIMENSIONS

Model	K2000 Power	K2000S Power
Item No.	18022302	18022202
EAN Code	6949773305223	6949773305216
Net Weight	1.4 kg (3.0 lbs)	1.4 kg (3.0 lbs)
Packed Weight	1.9 kg (4.0 lbs)	1.9 kg (4.0 lbs)
Packed Size	500*90*345 mm	500*90*345 mm

Note Protection Mark according to DIN 34

SPECIFICATION

Model	K2000 Power	K2000S Power
LED SOURCE		
Beam Angle	Flood 75°	
White Light	Daylight 5,600 K	Bi-Color 3,200 K - 5,600 K Continuously Variable Correlated Color Temperature
Color Temperature Tolerance	± 150 K (nominal)	
Color Rendition	TLCI 95-99 (97±2), CRI 93-97 (95±2)	
Dimming	0 -100% Continuous	
Control	On-Board Controller	
Estimated LED Lifetime	50,000 hours (15 Years of average use)	
POWER SUPPLY		
Power Voltage Range	12 - 24 V DC	
Input Current Range	Max 3.6A @ 13V / 1.6A @ 24V	
Power Consumption	42 W Nominal, 46 W Maximum	
Battery Option	Neutrik speak ON NL2MP (Plug: Neutrik speak ON NL2FX)	
GENERAL		
Thermal Design	Silent Passive Cooling	
Mounting	16 mm / 28 mm Combo Pin (Baby 5/8 inch / Junior 1-1/8 inch Combo Pin)	
Housing Color	Black	
Ambient Temperature Operation	-20 to +45° C (-4 to +113° F)	
Protection Class	IP 20	
Certifications	CE (EMC, LVD, RoHS, REACH), ISO9001:2000	

All specifications are nominal / typical values.

PHOTOMETRIC DATA (preliminary results)

