



UltraColor Z400S Soft

BRIGHTNESS | 4400 LUX@1M

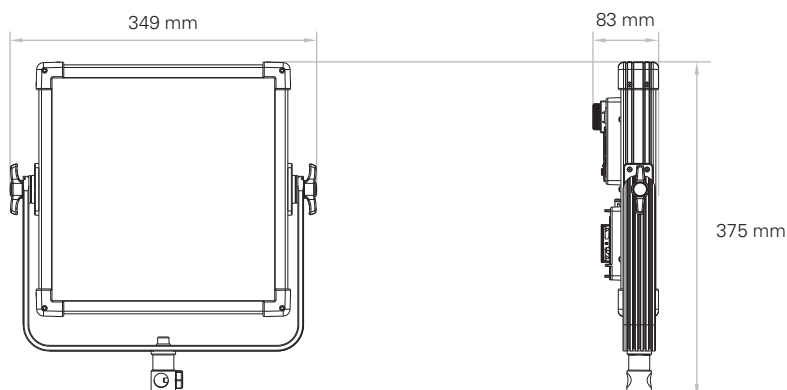
With the optional intensifier, the Z400S Soft provides up to 4400 lux @ 1m of UltraSoft light with a beam angle of 50°. 100% passively cooled without any noise.

COLOR | TLCI 99

Pure, white light with true color reproduction and a TLCI of up to 99. Skin tones and colors never looked better, rendered with absolute precision.

BI-COLOR | 3200 - 5600K

Quickly and easily adjust the CCT to set the mood of a scene or to match other light sources. Experience no brightness loss at daylight or tungsten compared to mixed color temperatures, as is common with other bi-color fixtures.



DIMENSIONS

Model	UltraColor Z400S Soft
Item No.	109030130220 (EU) 109030130230 (US)
EAN Code	6949773303663 (EU) 6949773303700 (US)
Net Weight	2.5 kg (5.3 lbs)
Packed Weight	2.9 kg (6.4 lbs)
Packed Size	500x90x470 mm

Note Protection Mark according to DIN 34

SPECIFICATION

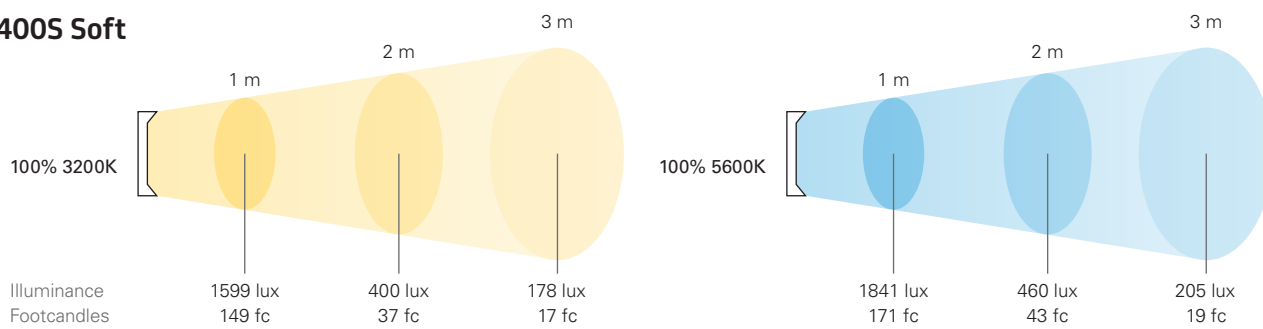
Model	UltraColor Z400S Soft
LED SOURCE	
Beam Angle	130°
White Light	Bi-Color 3,200 K - 5,600 K Continuously Variable Correlated Color Temperature
Color Temperature Tolerance	+/- 150 K (nominal)
Color Rendition	TLCI 97 - 99, CRI 96 - 98
Dimming	0 -100% Continuous
Control	On-Board Controller
Estimated LED Lifetime	50,000 hours (15 Years of average use)
POWER SUPPLY	
Power Voltage Range	12 - 24 V DC
Input Current Range	Max 6.7 A @ 13V / 3.7 A @ 24V
Power Consumption	87 W Nominal, 90 W Maximum
Power Connection	V-mount Battery Plate
GENERAL	
Thermal Design	Silent Passive Cooling
Mounting	16 mm / 28 mm Combo Pin (Baby 5/8 inch / Junior 1-1/8 inch Combo Pin)
Housing Color	Black
Ambient Temperature Operation	-20 to +45° C (-4 to +113° F)
Protection Class	IP 20
Certifications	CE, FCC, RoHS, REACH

All specifications are nominal / typical values.

PHOTOMETRIC DATA (preliminary results)

UltraColor Z400S Soft

130° Beam Angle



UltraColor Z400S Soft with The Intensifier

50° Beam Angle

