



BRIGHT IDEAS



K4000 Power

MAXIMUM BRIGHTNESS

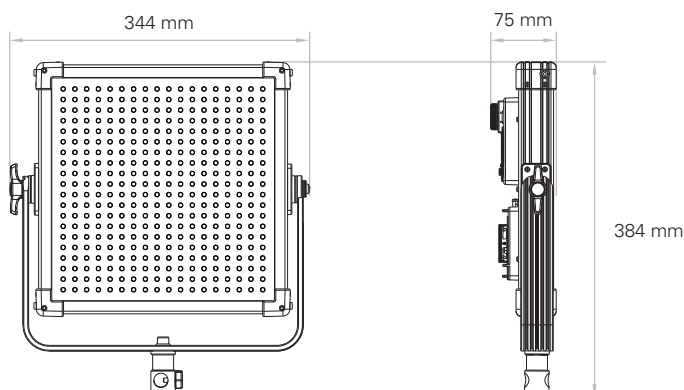
Utilizing a new lens design, the K4000 Power offers incredible brightness whenever maximum output is needed. Maintaining a 75° wide beam angle the K4000 Power creates up to 7200 lux @ 1m and can still be powered by a single V-Mount battery.

VIBRANT COLOR REPRODUCTION

With a TLCI of up to 99 (97±2) and a CRI of up to 97 (95±2), the Power fixtures raise the color reproduction to new heights, representing colors truthfully, neutral and vibrant.

NEW ATTACHMENT SYSTEM

Incorporating the new F&V attachment system for light shaping accessories, the FV fixtures are compatible to the full range of tools like barndoors, honeycomb grids, diffusers, filterholders and softboxes.



DIMENSIONS

Model	K4000 Power	K4000S Power
Item No.	18022102 (EU) 18022103 (US)	18022002 (EU) 18022003 (US)
EAN Code	6949773305162 (EU) 6949773305179 (US)	6949773305100 (EU) 6949773305117 (US)
Net Weight	2.3 kg (5.1 lbs)	2.3 kg (5.1 lbs)
Packed Weight	3.75 kg (8.27 lbs)	3.75 kg (8.27 lbs)
Packed Size	370*105*530 mm	370*105*530 mm

Note Protection Mark according to DIN 34

SPECIFICATION

Model	K4000 Power	K4000S Power
LED SOURCE		
Beam Angle	Flood 75°	
White Light	Daylight 5,600 K	Bi-Color 3,200 K - 5,600 K Continuously Variable Correlated Color Temperature
Color Temperature Tolerance	± 150 K (nominal)	
Color Rendition	TLCI 95-99 (97±2), CRI 93-97 (95±2)	
Dimming	0 -100% Continuous	
Control	On-Board Controller	
Estimated LED Lifetime	50,000 hours (15 Years of average use)	

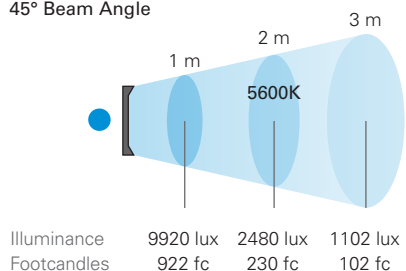
POWER SUPPLY		
Power Voltage Range	13 - 24 V DC	
Input Current Range	Max 6.7A @ 13V / 3.7A @ 24V	
Power Consumption	87 W Nominal, 90 W Maximum	
Battery Option	V-mount Battery Plate x1 - Built in / 3-stud Mount Plate - Optional	

GENERAL		
Thermal Design	Natural convection	
Mounting	16 mm / 28 mm Combo Pin (Baby 5/8 inch / Junior 1-1/8 inch Combo Pin)	
Housing Color	Black	
Ambient Temperature Operation	-20 to +45° C (-4 to +113° F)	
Protection Class	IP 20	
Certifications	CE (EMC, LVD, RoHS, REACH), ISO9001:2000	

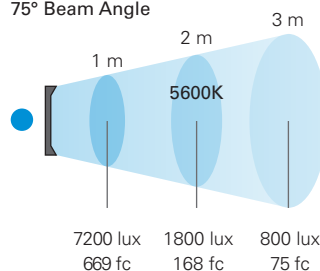
All specifications are nominal / typical values.

PHOTOMETRIC DATA

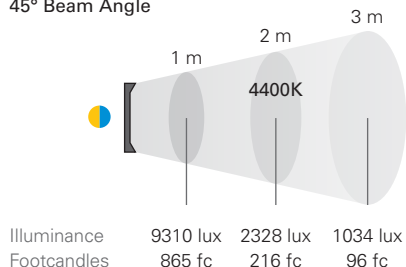
K4000 Power with KS-1 Intensifier
45° Beam Angle



K4000 Power
75° Beam Angle



K4000S Power with KS-1 Intensifier
45° Beam Angle



K4000S Power
75° Beam Angle

